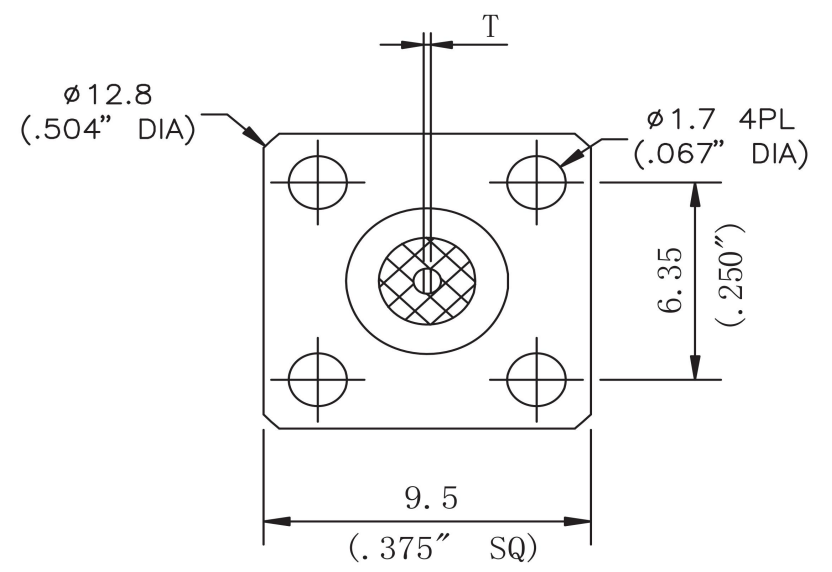
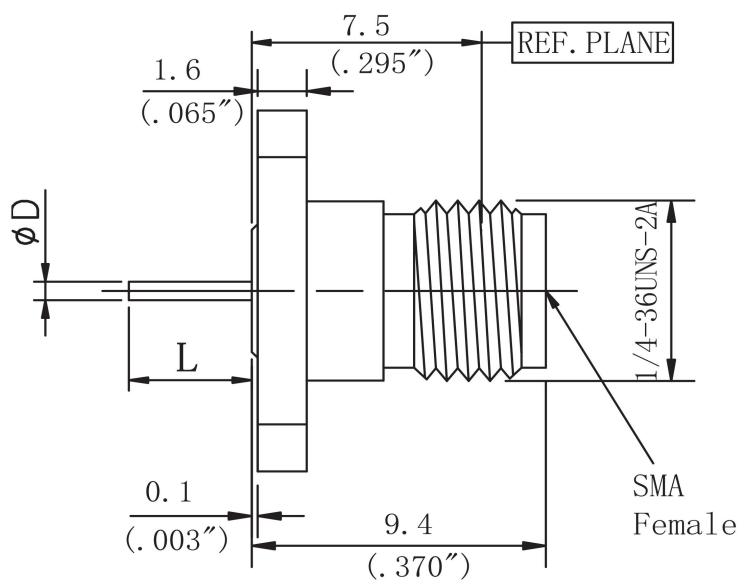
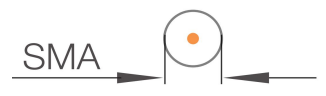


THIS DRAWING UNPUBLISHED. RELEASED FOR PUBUCATION

LOC		DIST		REVISIONS			
---	---	P	LTR	DATE	DWN	APVD	



- NOTES:
- ELECTRICAL:
 - IMPEDANCE: 50Ω
 - INSULATION RESISTANCE: 5000M Ω
 - FREQUENCY RANGE: DC-27 GHz
 - DIELECTRIC WITHSTANDING VOLTAGE: 1000V MAX AT SEA LEVEL
 - VSWR: ≤1.15:1
 - INSERTION LOSS: 0.25dB (MAX)

- ENVIRONMENTAL:
 - TEMPERATURE RANGE: -55° to +165°

- MATERIAL AND FINISH:
 - INNER CONDUCTOR MATERIAL: BERYLLIUM BRONZE GOLD PLATING
 - EXTERNAL CONDUCTOR MATERIAL: STAINLESS STEEL PASSIVATED
 - INSULATOR: PTFE

MODEL	ØD	L	T
XQY-SAFT11F02-M	0.64mm/0.025"	4mm/0.158"	0.2mm/0.008"
XQY-SAFT14F02-M	1.27mm/0.050"	1.27mm/0.050"	0.15mm/0.006"
Accept custom sizes and styles			

THIS DRAWING IS A CONTROLLED DOCUMENT		21/10/2021	Shenzhen xinqiyuan Technology Co., Ltd.	
		CHK		
DIMENSIONSMM		TOLERANCES UNLESS OTHERWISE SPECIFIED: ±0.1	NAME SMA Female RF Coaxial Connector	
Note: Dimensions (mm / [inch])		APVD	Direct connection	
		APPLICATION SPEC	SIZE A4	CAGE CODE 01021
		WEIGHT	DRAWING NO XQY-SAFT11F02-M	